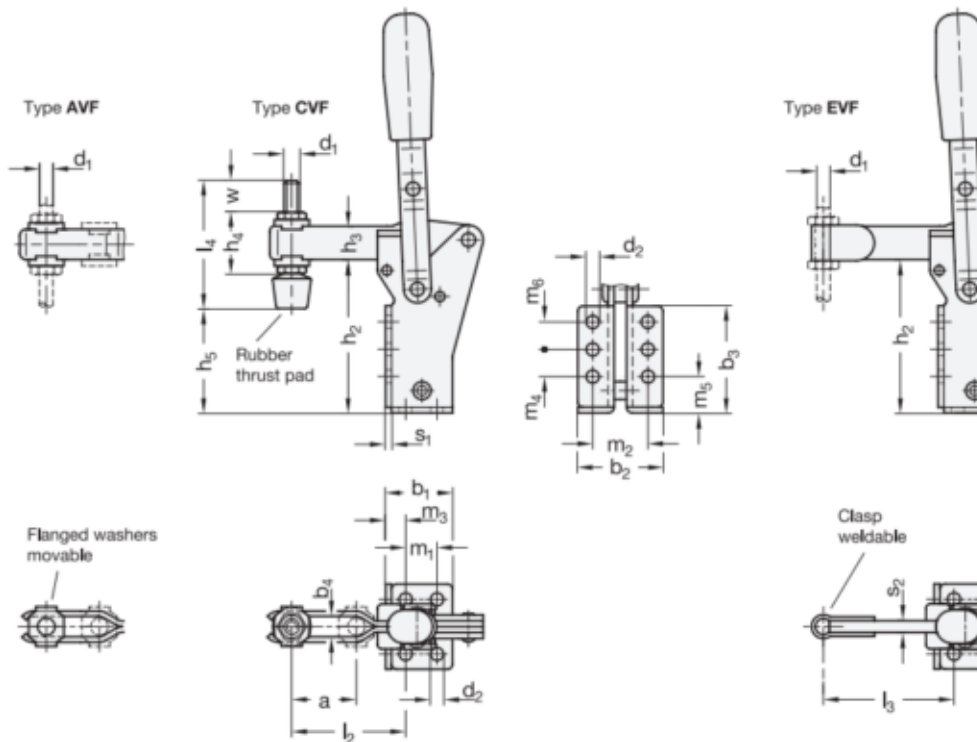


Article number: 208121130CVF
 Description: E+G vertical clamps
 GN 812.1-130-CVF

Measures



b1 = 31.5	h3	= 16	m3	= 11
b2 = 42	h4	= 25.5	m4	= 12.5
b3 = 49	Holding force in N	= 1100	m5	= 16
b4 = 6.2	l1	= 85	r	= 79
d1 = M 6	l2	= 46.5	S1	= 2.5
d2 = 5.6	l3 Max.	= -	S2	= -
h1 = 184	m1	= 12.5	Weight in g	= 316
h2 = 70	m2	= 27		